

STELLE

The STELLE was specially designed for the Hotel de Sterrenberg project in Otterlo, with the STRATO as the starting point. Unique in both its functionality and design. The STELLE is made of solid wood and gives its surroundings a beautiful, rustic look. Both for the private driveway and for the entrance of, for example, a campsite or holiday park. Also widely used in parking lots. Please contact us if you want to view the Lighting data files.

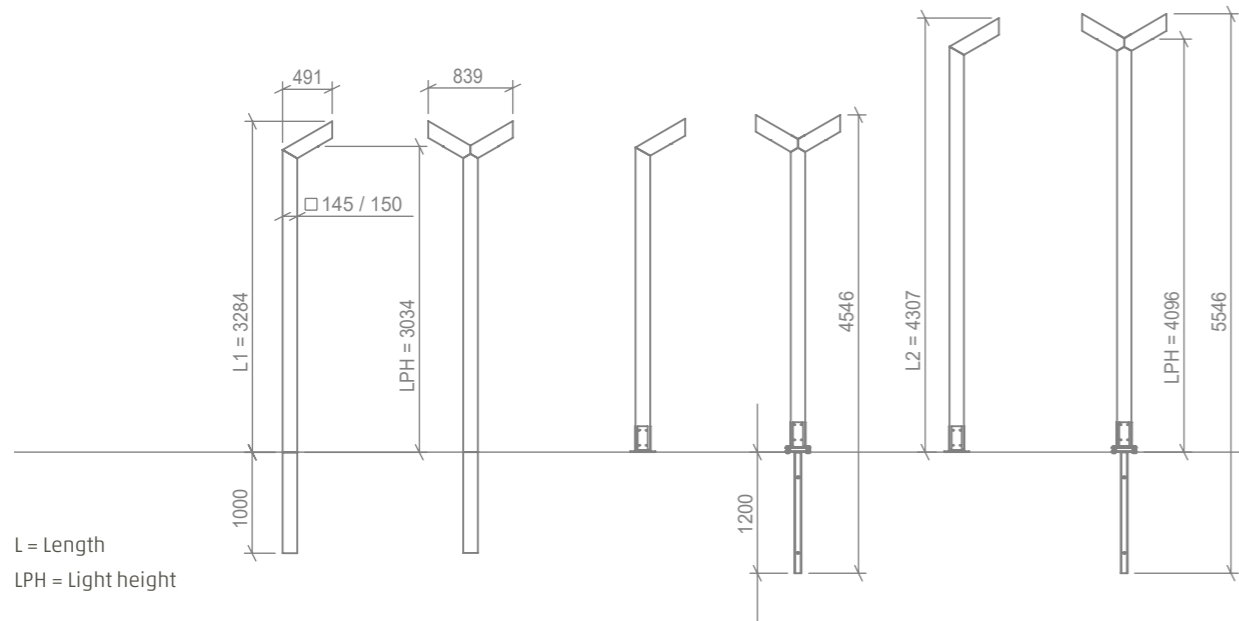


SPECIFICATIONS

- **Thickness:** 150 mm
- **IP class:** IP54
- **Voltage:** 230 volts
- **Power per LED module:** 18 Watt
- **Lumen output per LED module:**
 - 2.200K = 1.376 lm
 - 3.000K = 2.413 lm
 - 4.000K = 2.527 lm
 - amber = 809 lm
- **Beam angle:** The LED module has a beam angle of 150x70 degrees
- **Lifespan:** Every type of wood has its own durability rating. More information about this can be found under "Types of wood" & "Sustainability". The LED module has an expected lifespan of 108,000 hours.
- **Lighting data:** Lighting data available on request.

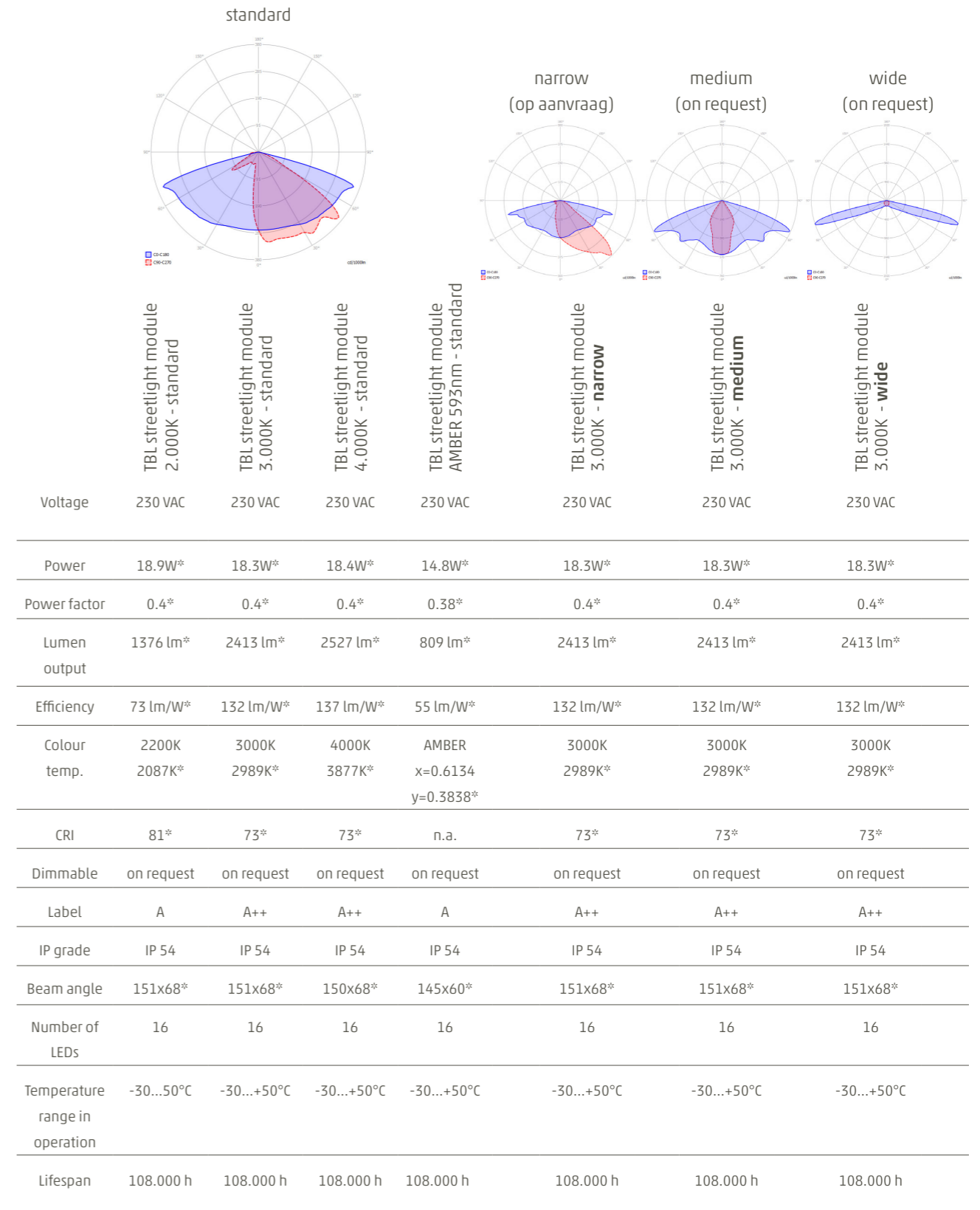
OPTIONS

- **Wood type:** Larch/Douglas (on base support only), Oak, Rustic Chestnut or Accoya
- **Quality mark:** FSC or PEFC
- **Accessories:** The STELLE is available with or without post holder. See chapter 'post holders' for all technical data of the different post holders.
- **Light colour:** Available in 2.200, 3.000, 4.000 K and amber (593 nm).
- **Connection:** Possible with cable or without cable (1 mtr 3x 1.5 mm2). A 32mm hole in the fixture as standard for easy passage of your ground cable.
- **Performance:** A single or double arm.
- **Variations:** At Timberlab, every fixture is carefully produced for you. In addition to the standard options, we are happy to create variations for your application. Think of camera surveillance, as pictured above.



	Weight	CO2	Weight	CO2	Weight	CO2	Weight	CO2	Weight	CO2	Weight	CO2
		storage		storage		storage		storage		storage		storage
Larch/Douglas	-	-	-	-	49 kg	69 kg	69 kg	79 kg	62 kg	89 kg	82 kg	99 kg
Chestnut	57 kg	91 kg	63 kg	101 kg	51 kg	70 kg	70 kg	80 kg	64 kg	91 kg	83 kg	101 kg
Oak	72 kg	115 kg	79 kg	128 kg	63 kg	89 kg	84 kg	102 kg	79 kg	115 kg	99 kg	128 kg
Accoya	52 kg	83 kg	58 kg	92 kg	47 kg	64 kg	66 kg	73 kg	59 kg	83 kg	78 kg	92 kg

LED MODULES



* Measured values



Only products indicated with the FSC® claim are FSC certified and come with our FSC-certificate number NC-COC-029615-KE. Only products indicated with the PEFC™ claim are 100% PEFC certified and come with our PEFC-certificate number NC-PEFC/COC-029615-FJ.