

GRUPO

Faunus Nature Creations and TimberLab have joined forces to develop a stylish bat pole. Bats are a protected species in the Netherlands. Cutting down trees, demolishing, renovating, and insulating buildings is causing the loss of habitats for these extremely useful animals. Bats eat large numbers of moths, for example, which leads to the development of the oak processionary caterpillar. All the more reason then for the bats to lend a hand.

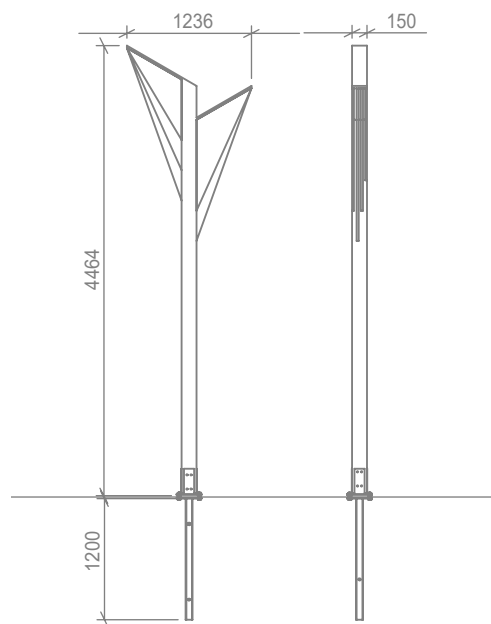


SPECIFICATIONS

- **Lifespan:** Every type of wood has its own durability rating. More information about this can be found under the heading "Types of wood" & Sustainability.

OPTIONS

- **Wood type:** The mast is made of oak. The bat's wings are made of chestnut wood.
- **Quality mark:** PEFC
- **Stem thickness:** 150 mm
- **Accessories:** The GRUPO is available with or without post holder. See chapter 'post holders' for all technical data on the different post holders.



The collaboration between Faunus Nature Creations and Timberlab has enabled us to integrate design and functionality into a unique product. The stylish pole box is appreciated not only by the bats, but also by local residents. Designer Tjeu Marijnissen (UTIL PRODUCTS) was inspired by the image of a bat. The GRUPO is an abstract expression of this intriguing animal. This makes this eye-catcher a special addition to the public space or any other environment.



Only products indicated with the FSC® claim are FSC certified and come with our FSC-certificate number NC-COC-029615-KE. Only products indicated with the PEFC™ claim are 100% PEFC certified and come with our PEFC-certificate number NC-PEFC/COC-029615-FJ.