

BLOCCO

The BLOCCO is a barrier or anti-parking post that can be used for various applications. The pole is made of chestnut wood as standard and has horizontal or vertical reflective stripes. This gives the BLOCCO a robust and natural look. The reflective stripes are made in half white and half red and can be marked with a row or walking direction if necessary. Ideal as an anti-parking post or barrier between road and cycle path. Delivered fully assembled. Only digging a hole and placing is required.

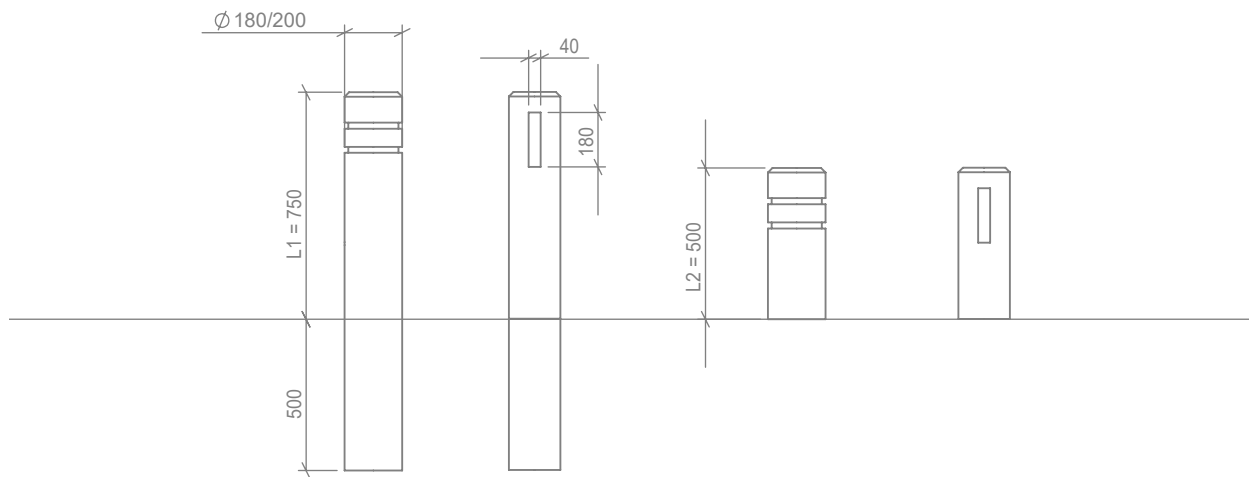


SPECIFICATIONS

- **Thickness:** 180-200 mm
- **Wood type:** Chestnut
- **Lifespan:** Every type of wood has its own durability rating. More information about this can be found under the heading "types of wood" & "Sustainability".

OPTIONS

- **Quality mark:** PEFC
- **Accessories:** The BLOCCO is available with or without post holder. See chapter 'post holders' for all technical data on the different post holders.
- **Variations:** At Timberlab, every fixture is carefully produced for you. In addition to the standard options, we are happy to create variations for your application. Think of a combination with a lamppost or path lighting.



	weight	CO2	weight	CO2
		storage		storage
Chestnut	20 kg	32 kg	10 kg	16 kg



Only products indicated with the FSC® claim are FSC certified and come with our FSC-certificate number NC-COC-029615-KE. Only products indicated with the PEFC™ claim are 100% PEFC certified and come with our PEFC-certificate number NC-PEFC/COC-029615-FJ.

